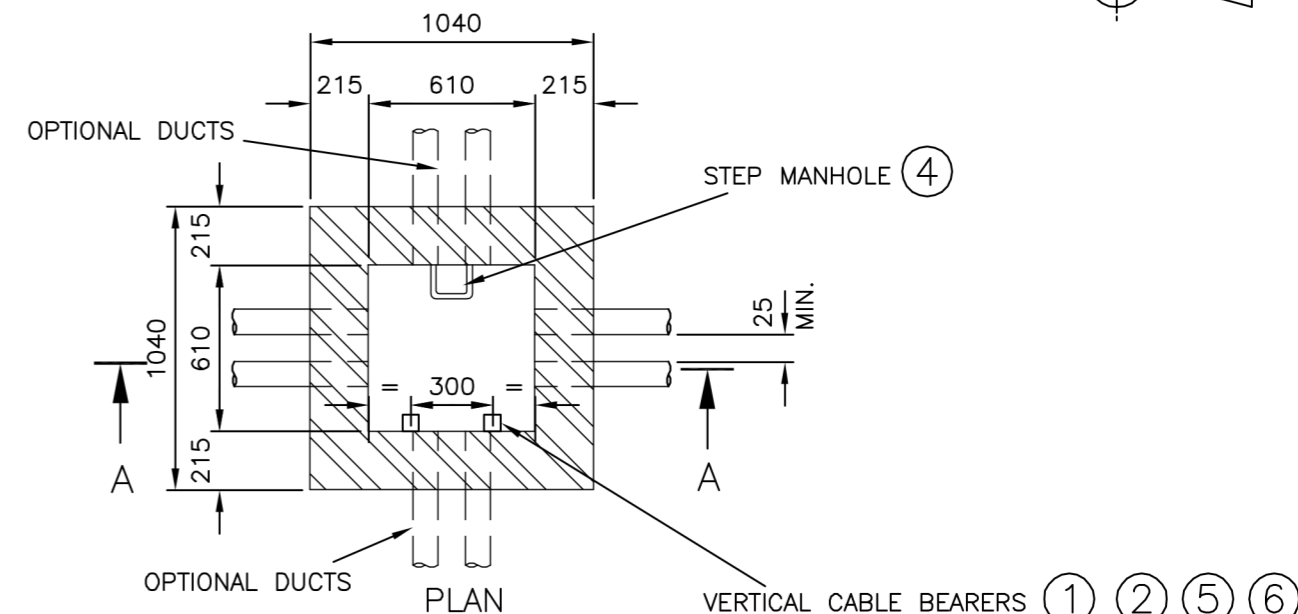


TOLERANCES:- CN15456	
BEDDING MATERIAL	+5mm
CEMENT MORTAR	-20mm
VOIDAGE	0.5%
BRICKWORK MORTAR JOINTS	±5mm
WALL FLATNESS	±11mm
DUCT ENTRY POSITION	±25mm
DUCT FLUSH WITH WALL	-10mm
F & C ROCKING	NIL
F & C SURROUND IN UNMADE	±5mm
F & C UNSUPPORTED OVER BOX	+10mm
F & C LEVEL WITH HIGHWAY	NIL
JOINTBOX INTERNAL LENGTH/WIDTH	±15mm
JOINTBOX INTERNAL HEIGHT	±10mm
STEP DEPTH TO LUG	±5mm
STEP POSITION	±15mm
STEP HORIZONTAL	±5mm
VERTICALITY OF WALLS	±15mm
SLAB THICKNESS	-10 TO +150mm
BOLT FOUNDATION	±5mm

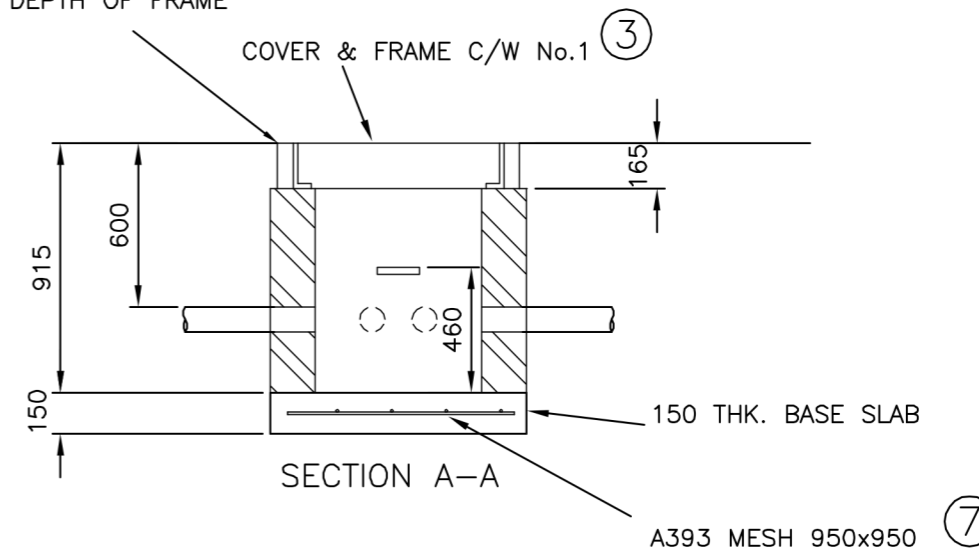
SCHEDULE			
ITEM	DESCRIPTION		
		DRG	No. OFF
1	BOLTS, FOUNDATION, INDENTED No.2	CN1166	4
2	CABLE BEARERS, WALL TYPE, No.2	CN1059	2
3	FRAME & COVER CW No.1	CN15572	1
4	STEPS, MANHOLE No.1	CN1961	1
5	PIN LOCKING CABLE BEARER	CN1301	2
6	BRACKET CABLE BEARER No.8	CN1069	2
7	A393 MESH - 950x950		1

NOTES

- THIS DRAWING TO BE READ IN CONJUNCTION WITH ALL OTHER DRAWINGS, DOCUMENTATION AND SPECIFICATIONS RELATING TO THIS JOINTBOX TYPE CONSTRUCTION
- WORKMANSHIP, MATERIALS AND METHOD OF CONSTRUCTION ARE TO COMPLY WITH ALL CURRENT RELEVANT CONTRACT DOCUMENTS, BRITISH STANDARDS, AND CODES OF PRACTICE (RELEVANT TO THE CONSTRUCTION INDUSTRY) AND ACCEPTED CONSTRUCTION PRACTICE.
- ALL EXISTING SERVICES POSITIONS ARE TO BE VERIFIED ON SITE BY THE CONTRACTOR PRIOR TO STARTING THE WORKS.
- ALL ACCEPTED SAFE DIGGING PRACTICES AND SAFE METHODS OF WORKING ARE TO BE EMPLOYED DURING THE INSTALLATION OF THE JOINTBOX.
- CONCRETE TO BE GRADE C32/40 WITH A WATER CEMENT RATIO 0.4. MIN. CEMENT CONTENT 380kg/m<sup>3</sup>. AGGREGATE MAX. SIZE 20mm. ALL IN ACCORDANCE WITH BS8500.
- REINFORCEMENT TO BE GRADE B500B OR B500C CONFORMING TO BS4449.
- COVER TO BE 45mm MIN. PROPRIETARY SPACERS TO BE UTILISED.
- ALL DUCTS SHOWN ARE BASED ON MAXIMUM RECOMMENDED NUMBERS OF DUCT TYPE 54D.
- END DUCTS TO BE IN LINE.
- WHERE POSSIBLE DUCTS TO BE POSITIONED NOT LESS THAN 75mm FROM A SIDE WALL.
- MINIMUM REQUIRED DUCTS SHOWN SOLID.
- SHORT LENGTHS OF DUCTS 54D TO BE USED ON NON-DUCTED ROUTES.
- ITEMS 1&2 ARE SHOWN IN TYPICAL POSITIONS, THEY MAY BE REPOSITIONED TO SUIT LOCAL CONDITIONS.
- STEP MANHOLE TO BE FITTED IN ALL BOXES DEEPER THAN 750mm. TYPICAL POSITION OF STEP SHOWN. POSITION MAY BE ADJUSTED TO SUIT DUCT CONFIGURATION.
- STEP DETAILS AS PER CN1961.
- BRICKS USED TO BE (MINIMUM) CLASS B ENGINEERING BRICKS. MORTAR TO BE CLASS (iii) 1:5 CEMENT:SAND RATIO (MAXIMUM) OR 1:1:5 CEMENT:LIME:SAND.
- BRICKS AND MORTAR TO BE IN ACCORDANCE WITH BS5628.
- ALL WORKS TO BE UNDERTAKEN IN ACCORDANCE WITH THE SPECIFICATION FOR HIGHWAY WORKS (SHW) AND ALL SUBSEQUENT AMENDMENTS.
- ALL BACKFILL MATERIAL TO BE CLASS 6N TYPE.



CONSTRUCT CONCRETE, MIN C32/40 SURROUND AS REQUIRED, TO OUTER EDGE OF WALLS MIN FOR UNPAVED SURFACE, TO DEPTH OF FRAME



DIMENSIONS IN mm UNLESS OTHERWISE STATED

© British Telecommunications plc 2008

DO NOT SCALE

ORIGINAL SCALE 1:20

ANY MODIFICATION TO THE DRAWING OR THE USE OF ALTERNATIVE ITEMS TO THOSE SPECIFIED MUST BE AGREED WITH THE DESIGNER.

A2 A3	DRN OMS CKD D.C.	MATERIAL	FIRST ISSUE	A	JOINTBOX CARRIAGEWAY (NEWSITES) JBC3 (N)		REFERENCES SPEC LN 550 CN1961
	CERTIFICATION DESIGNER OMS CLIENT OPENREACH	FINISH	OPENREACH OMS 22.01.09		OPENREACH	BEA3	CN 15648
DATE 22.01.09			AMENDMENT	ISSUE			