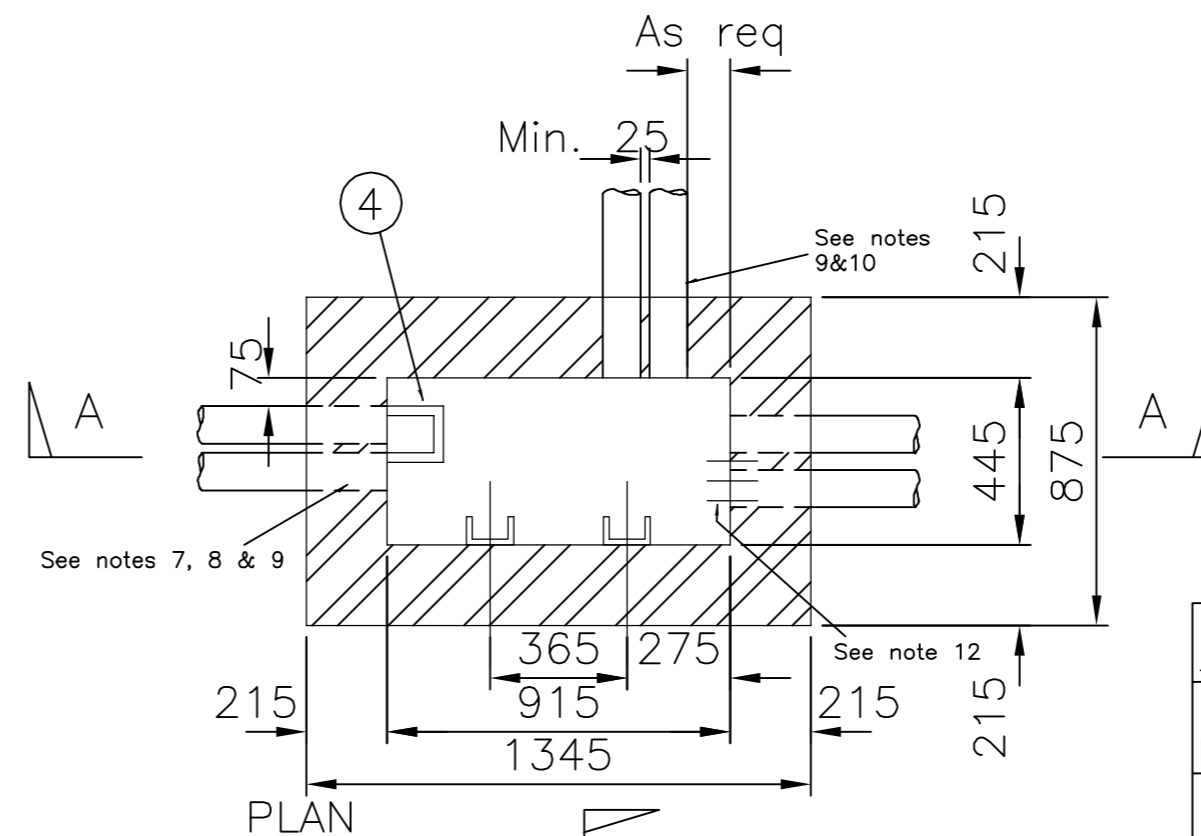


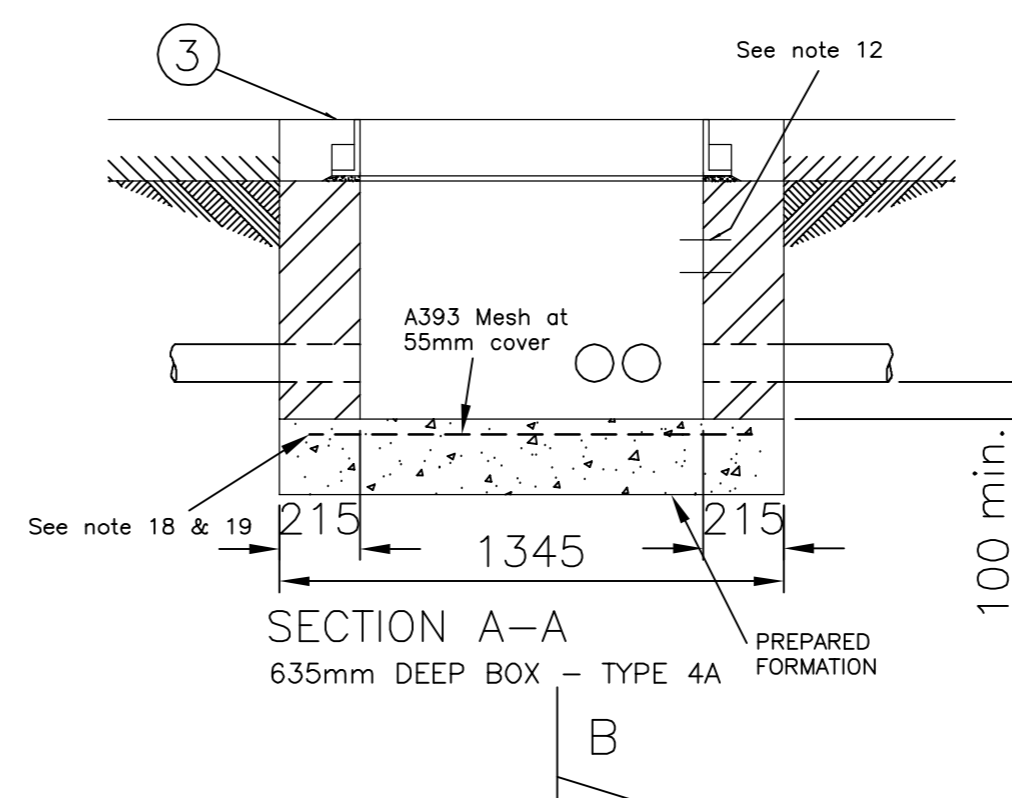
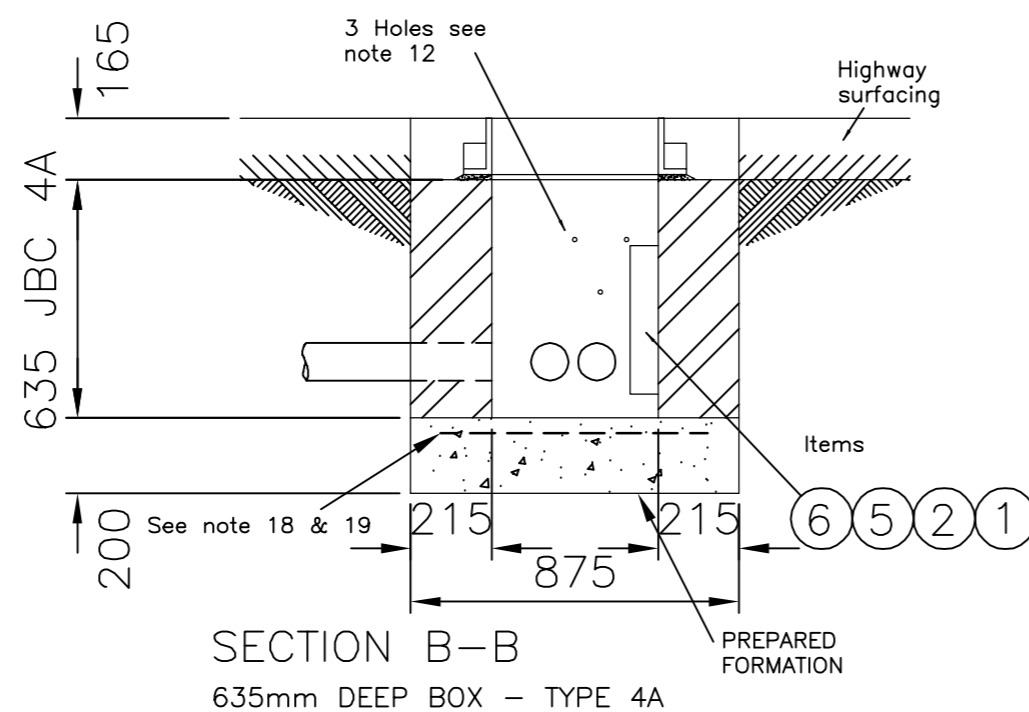
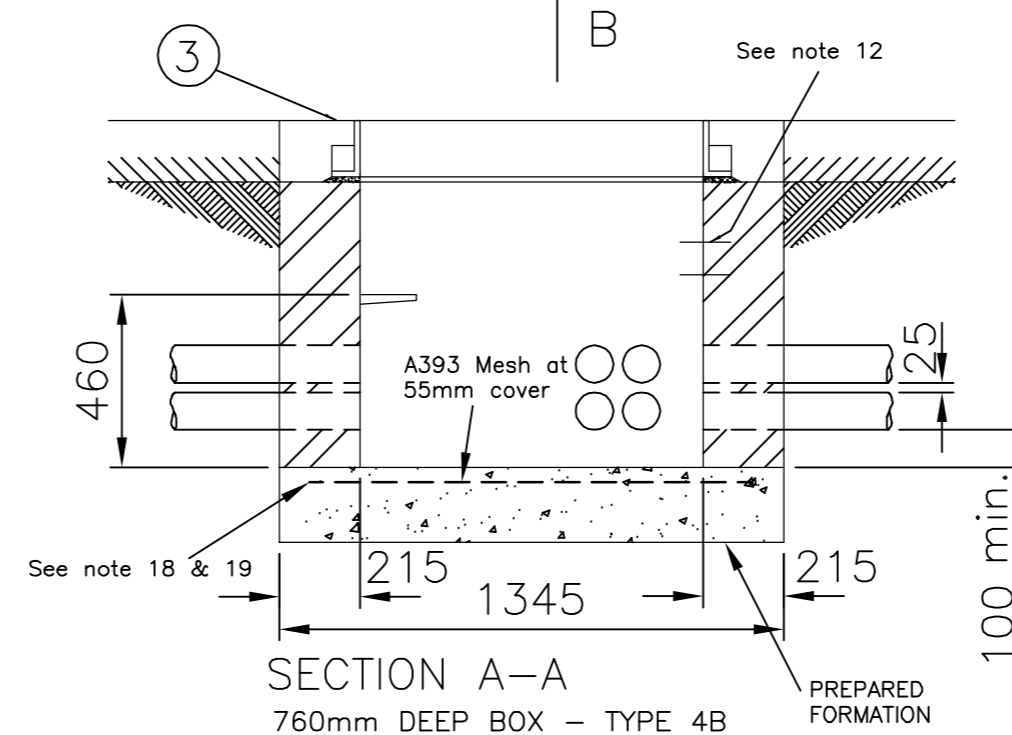
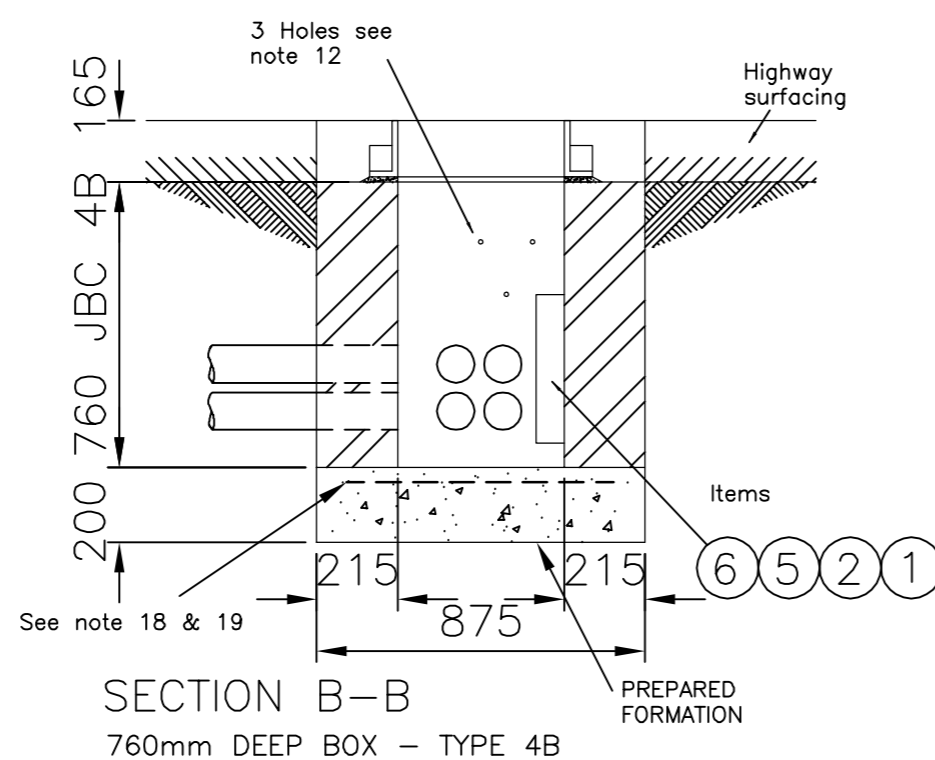
NOTES

- THIS DRAWING TO BE READ IN CONJUNCTION WITH ALL OTHER DRAWINGS, DOCUMENTATION AND SPECIFICATIONS RELATING TO THIS JOINTBOX TYPE CONSTRUCTION.
- WORKMANSHIP, MATERIALS AND METHOD OF CONSTRUCTION ARE TO COMPLY WITH ALL CURRENT RELEVANT CONTRACT DOCUMENTS, EUROCODES, AND CODES OF PRACTICE (RELEVANT TO THE CONSTRUCTION INDUSTRY) AND ACCEPTED CONSTRUCTION PRACTICE.
- ALL EXISTING SERVICES POSITIONS ARE TO BE VERIFIED ON SITE BY THE CONTRACTOR PRIOR TO STARTING THE WORKS.
- ALL ACCEPTED SAFE DIGGING PRACTICES AND SAFE METHODS OF WORKING ARE TO BE EMPLOYED DURING THE INSTALLATION OF THE JOINTBOX.
- CONCRETE TO BE GRADE C35/45 WITH A WATER CEMENT RATIO 0.4. MIN. CEMENT CONTENT 380kg/m<sup>3</sup>. AGGREGATE MAX. SIZE 20mm. ALL IN ACCORDANCE WITH BS8500 (BS EN206).
- ALL DUCTS SHOWN ARE BASED ON MAXIMUM RECOMMENDED VALUES FOR DUCT TYPE 54D.
- END DUCTS TO BE IN LINE.
- WHERE POSSIBLE DUCTS TO BE POSITIONED NOT LESS THAN 75mm FROM A SIDE WALL.
- MINIMUM REQUIRED DUCTS SHOWN SOLID FOR EACH JOINTBOX VARIATION.
- SHORT LENGTHS OF DUCTS 54D TO BE USED ON NON-DUCTED ROUTES, APPROPRIATE DUCT TO BE USED ON DUCTED ROUTES.
- ITEMS 1&2 ARE SHOWN IN TYPICAL POSITIONS, THEY MAY BE REPOSITIONED OR INCREASED TO SUIT LOCAL CONDITIONS.
- DRILL 1 SET OF 3 HOLES USING A 12mm MASONRY DRILL BIT TO A DEPTH OF 80mm FOR POSSIBLE FUTURE FITTING OF MOBRA BRACKET, SEE DRAWING CN15562 FOR DRILLING DETAILS.
- IF OTIAN MOBRA BRACKET IS TO BE FITTED, LEAVE OUT WALL TYPE BEARERS AND STEPS. BOLTS FOUNDATION FOR WALL TYPE BEARERS SHOULD BE FITTED.
- STEP MANHOLE TO BE FITTED IN ALL BOXES DEEPER THAN 700mm. THE STEP TO BE PROVIDED IN THE POSITION SHOWN ON THE END WALL REMOTE FROM ANY SIDE ENTRY DUCT.
- FOR METHOD OF FIXING ITEM 4 SEE DRAWING CN1961.
- BRICKS USED TO BE (MINIMUM) CLASS B ENGINEERING BRICKS. MORTAR TO BE CLASS (iii) 1:5 CEMENT:SAND RATIO (MAXIMUM) OR 1:1.5 CEMENT:LIME:SAND.
- BRICKS AND MORTAR TO BE IN ACCORDANCE WITH BS EN1996.
- 1N<sup>1</sup> LAYER A393 FABRIC MESH REINFORCEMENT IN TOP OF THE SLAB MINIMUM COVER 55mm TO ANY CONCRETE FACE. PROPRIETARY SPACERS TO BE USED.
- MESH TO BE GRADE B500B OR B500C CONFORMING TO BS4483.
- ALL WORKS TO BE UNDERTAKEN IN ACCORDANCE WITH THE SPECIFICATION FOR HIGHWAY WORKS (SHW) AND ALL SUBSEQUENT AMENDMENTS.
- ALL BACKFILL MATERIAL TO BE CLASS 6N TYPE.



ITEM	DESCRIPTION	No. OFF		
		DRWG	4A	4B
1	BOLTS, FOUNDATION, INDENTED No.2	CN1166	4	4
2	CABLE BEARERS, WALL TYPE, No.2	CN1059	2	2
3	FRAME & COVER CARRAGWAY No.4	---	1	1
4	STEPS, MANHOLE	CN1961	-	1
5	PIN LOCKING CABLE BEARER	CN1301	2	2
6	BRACKET CABLE BEARER No.8	CN1069	2	2

JBC 4A 635mm DEEP  
JBC 4B 760mm DEEP



TOLERANCES:- CN15456	
BEDDING MATERIAL	±5
VOIDAGE	0.5%
MORTAR JOINTS	±5
DUCT ENTRY POSITION	±25mm
DUCT FLUSH WITH WALL	-10mm
WALL FLATNESS	±11mm
F & C LEVEL WITH HIGHWAY NIL	
JOINT BOX INTERNAL LENGTH & WIDTH	±15
JOINT BOX INTERNAL HEIGHT/DEPTH	±10mm
STEEL DEPTH OF COVER	±5mm
STEEL DEPTH TO LUG	±5mm
STEP POSITION	±15mm
STEP HORIZONTAL	±5mm
VERTICALITY OF WALLS	±15mm
SLAB THICKNESS	-10 TO +150mm
BOLT FOUNDATION	±5mm
OTIAN BOLT HOLES	±2mm

ANY MODIFICATION TO THE DRAWING OR THE USE OF ALTERNATIVE ITEMS TO THOSE SPECIFIED MUST BE AGREED WITH THE DESIGNER.

DIMENSIONS IN mm UNLESS OTHERWISE STATED

© British Telecommunications plc 2007

DO NOT SCALE

ORIGINAL SCALE 1:20

A2 A3	DRN OMS	MATERIAL -	OMS Drawing Review Drawing number amended to 03 of 03 Prepared formation note added	C	TOLERANCES TO BS8666, BS EN1992. BS5606 TABLES 2 & 3 CN15456	JOINT BOX CARRIAGEWAY JBC 4 A & B BRICKWORK CONSTRUCTION	REFERENCES SPEC LN 550 CN15562
	CKD OMS						
DATE Dec 2007		AMENDMENT		ISSUE			

CN15644S03