

PLAN

TOLERANCES: - CN15456

BEDDING MATERIAL ±5mm  
CEMENT MORTAR -20mm  
VOIDAGE 0.5%  
BRICKWORK MORTAR JOINTS ±5mm  
WALL FLATNESS ±11mm  
DUCT ENTRY POSITION ±25mm  
DUCT FLUSH WITH WALL -10mm

F & C ROCKING NIL  
F & C SURROUND IN UNMADE ±5mm  
F & C UNSUPPORTED OVER BOX +5mm

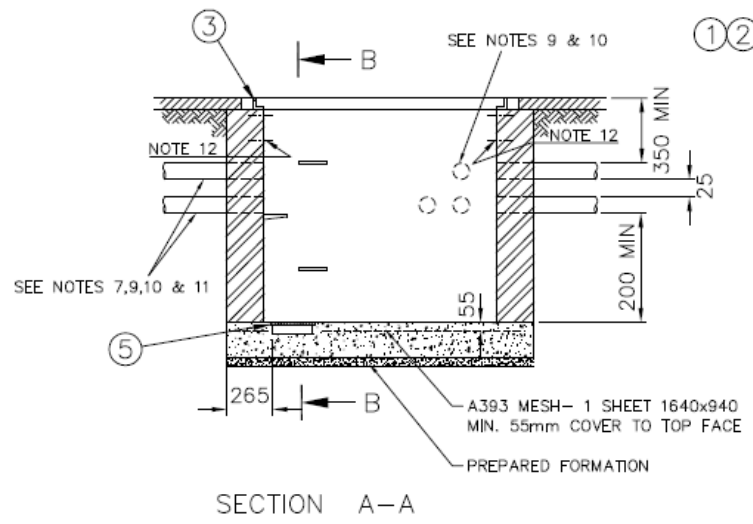
STRUCTURE INTERNAL LENGTH & WIDTH ±25mm  
STRUCTURE INTERNAL HEIGHT ±15mm  
VERTICALITY OF WALLS ±15mm  
SLAB THICKNESS -10 TO +150mm  
BOLT FOUNDATION ±5mm

ITEM		DESCRIPTION	No. OFF					
			DRG	6B	6C	6D	6E	6F
1		BOLTS, FOUNDATION, INDENTED No.2	CN1166	4	4	4	4	4
2		FRAME & COVER FOOTWAY OR DRIVEWAY No.6C.	CN1914	1	1	1	1	1
3		STEPS, MANHOLE No.1	CN1961	-	2	2	3	3
4		GRATING, SUMP, No.2	CN9165	1	1	1	1	1

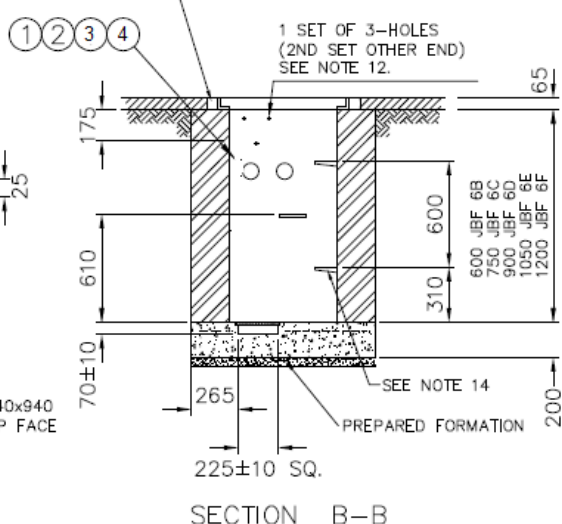
NOTES

- THIS DRAWING TO BE READ IN CONJUNCTION WITH ALL OTHER DRAWINGS, DOCUMENTATION AND SPECIFICATIONS RELATING TO THIS JOINTBOX TYPE CONSTRUCTION.
- WORKMANSHIP, MATERIALS AND METHOD OF CONSTRUCTION ARE TO COMPLY WITH ALL CURRENT RELEVANT CONTRACT DOCUMENTS, EUROCODES, AND CODES OF PRACTICE (RELEVANT TO THE CONSTRUCTION INDUSTRY) AND ACCEPTED CONSTRUCTION PRACTICE.
- ALL EXISTING SERVICES POSITIONS ARE TO BE VERIFIED ON SITE BY THE CONTRACTOR PRIOR TO STARTING THE WORKS.
- ALL ACCEPTED SAFE DIGGING PRACTICES AND SAFE METHODS OF WORKING ARE TO BE EMPLOYED DURING THE INSTALLATION OF THE JOINTBOX.
- CONCRETE TO BE GRADE C35/45 WITH A WATER CEMENT RATIO 0.4. MIN. CEMENT CONTENT 380kg/m<sup>3</sup>; AGGREGATE MAX. SIZE 20mm. ALL IN ACCORDANCE WITH BS8500 (BS EN206).
- ALL DUCTS SHOWN ARE BASED ON MAXIMUM RECOMMENDED VALUES FOR DUCT TYPE 540.
- END DUCTS TO BE IN LINE.
- WHERE POSSIBLE DUCTS TO BE POSITIONED NOT LESS THAN 75mm FROM A SIDE WALL.
- MINIMUM REQUIRED DUCTS SHOWN SOLID FOR EACH JOINTBOX VARIATION.
- SHORT LENGTHS OF DUCTS 540 TO BE USED ON NON-DUCTED ROUTES. APPROPRIATE DUCT TO BE USED ON DUCTED ROUTES.
- ITEMS 1&2 ARE SHOWN IN TYPICAL POSITIONS, THEY MAY BE REPOSITIONED OR INCREASED TO SUIT LOCAL CONDITIONS.
- DRILL 2 SET OF 3 HOLES USING A 12mm MASONRY DRILL BIT TO A DEPTH OF 80mm FOR POSSIBLE FUTURE FITTING OF MOBRA BRACKET, SEE DRAWING CN15562 FOR DRILLING DETAILS.
- IF OTAN MOBRA BRACKET IS TO BE FITTED, LEAVE OUT WALL TYPE BEARERS AND STEPS. BOLTS FOUNDATION FOR WALL TYPE BEARERS SHOULD BE FITTED.
- STEP MANHOLE TO BE FITTED IN ALL BOXES DEEPER THAN 700mm. THE STEP TO BE PROVIDED IN THE POSITION SHOWN ON THE END WALL REMOTE FROM ANY SIDE ENTRY DUCT.
- FOR METHOD OF FIXING ITEM 3 SEE DRAWING CN1961.
- BRICKS USED TO BE (MINIMUM) CLASS B ENGINEERING BRICKS. MORTAR TO BE CLASS (III) 1:5 CEMENT:SAND RATIO (MAXIMUM) OR 1:1:5 CEMENT:LIME:SAND.
- BRICKS AND MORTAR TO BE IN ACCORDANCE WITH BS EN1996.
- 1<sup>st</sup> LAYER: A393 FABRIC MESH REINFORCEMENT IN TOP OF THE SLAB MINIMUM COVER 55mm TO ANY CONCRETE FACE. PROPRIETARY SPACERS TO BE USED AS REQUIRED.
- MESH TO BE GRADE B500B OR B500C CONFORMING TO BS4483.
- ALL WORKS TO BE UNDERTAKEN IN ACCORDANCE WITH THE SPECIFICATION FOR HIGHWAY WORKS (SHW) AND ALL SUBSEQUENT AMENDMENTS.
- ALL BACKFILL MATERIAL TO BE CLASS 6N TYPE.

CONSTRUCT CONCRETE, MIN C35/45 SURROUND AS REQUIRED, 100mm MIN FOR UNPAVED SURFACE, DEPTH OF FRAME



SECTION A-A



SECTION B-B

ANY MODIFICATION TO THE DRAWING OR THE USE OF ALTERNATIVE ITEMS TO THOSE SPECIFIED MUST BE AGREED WITH THE DESIGNER.

DIMENSIONS IN mm UNLESS OTHERWISE STATED

© British Telecommunications plc 1994

DO NOT SCALE

ORIGINAL SCALE 1:20

A2 A3	DRN B.S.(PIPCO) CKD M.S. CERTIFICATION DESIGNER J.VERONA CLIENT MAZZ DARIOS	MATERIAL -	Newsite Review 27/11/16 c.m.	A	JOINT BOX FOOTWAY JBF 106 B, C, D, E & F		REFERENCES SPEC LN 550 CN15562
	FINISH -	NEWSITES					
DATE 27/07/94		AMENDMENT	ISSUE	Openreach	ALA944	CN 14981	SHT 5